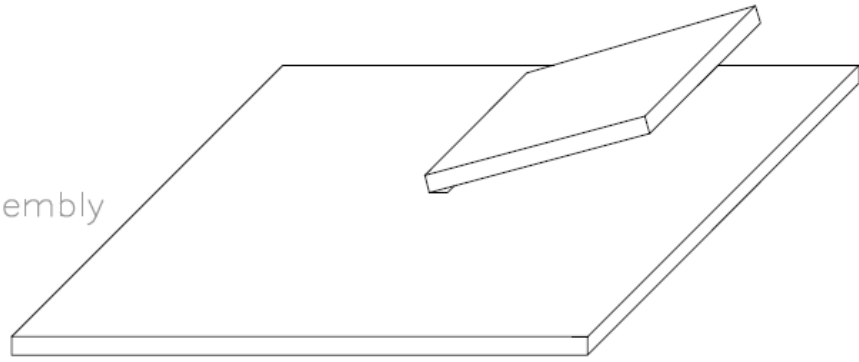
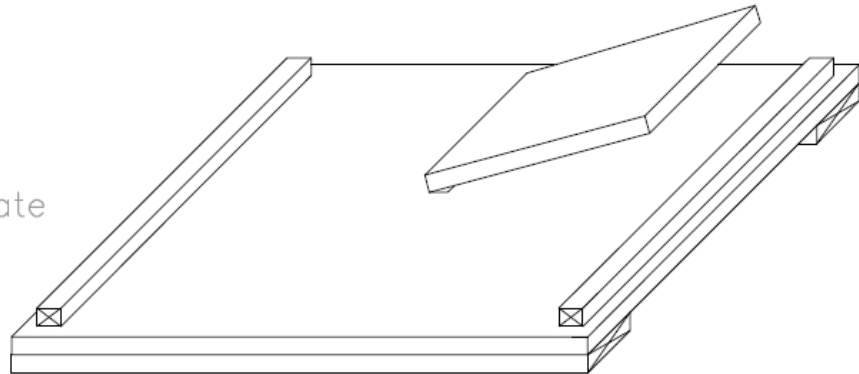


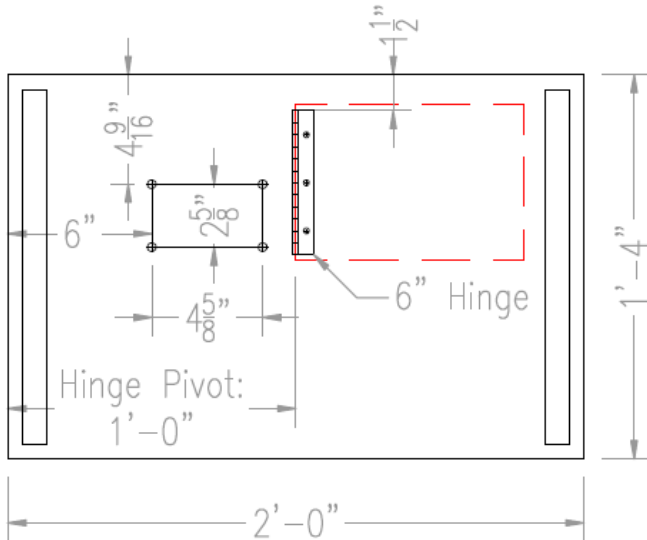
Basic Base Assembly



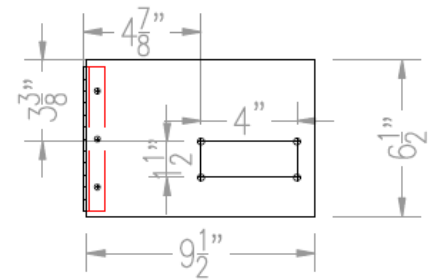
Base Assembly for optional Crate



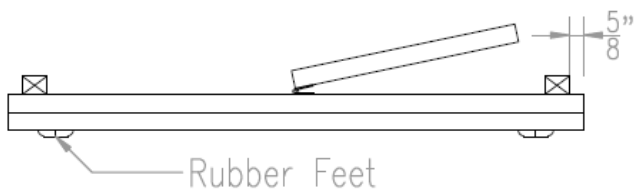
Base Board Top
Mill Mounting Holes and Hinge



Motor Mounting Board

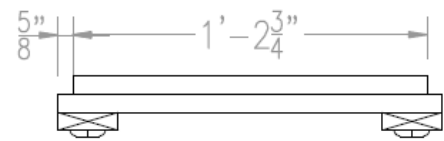


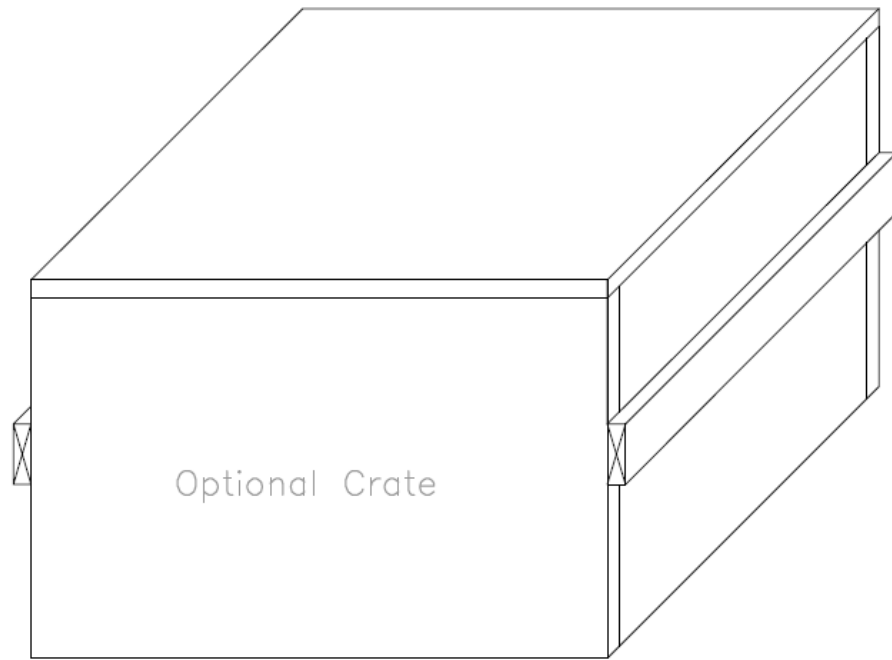
Base Board and Motor Mount, Front



Rubber Feet

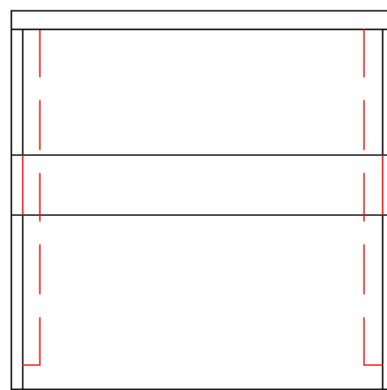
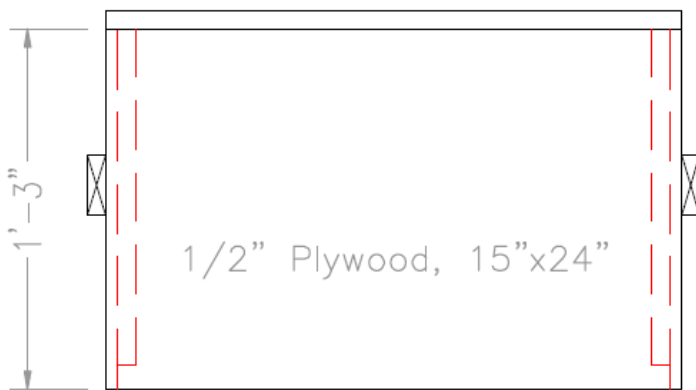
Base Board End



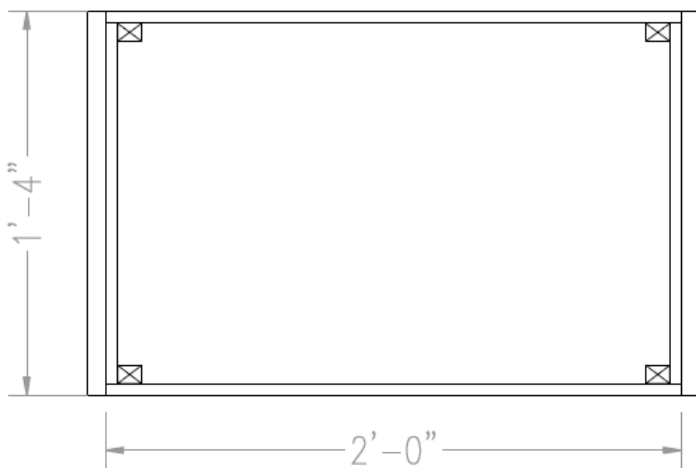


Front/Back View

End View



Top View (3/4" Top removed)



Top: 3/4" or 1/2" Ply 16"x24"

Front/Back: 1/2" Ply 15"x24"

Ends: 1/2" Ply 15"x15"

Corner Braces: 3/4"x1"x14"
(1x3 board cut to 1x1)

Handles: 1x3 x16"

Glue and Screw all Joints
Crate Latches not shown